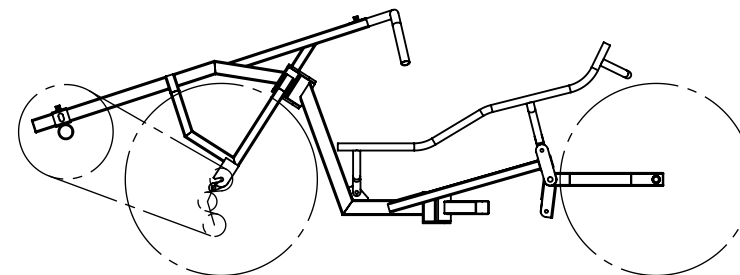


# JETRIKE - MKII



## An Open Design

Copyright (c) 2007, Henry Thomas  
All rights reserved.

Acknowledgments: thanks to 25mhz, Dirk Bonne, George Durbridge and Carl Punton for their suggestions.

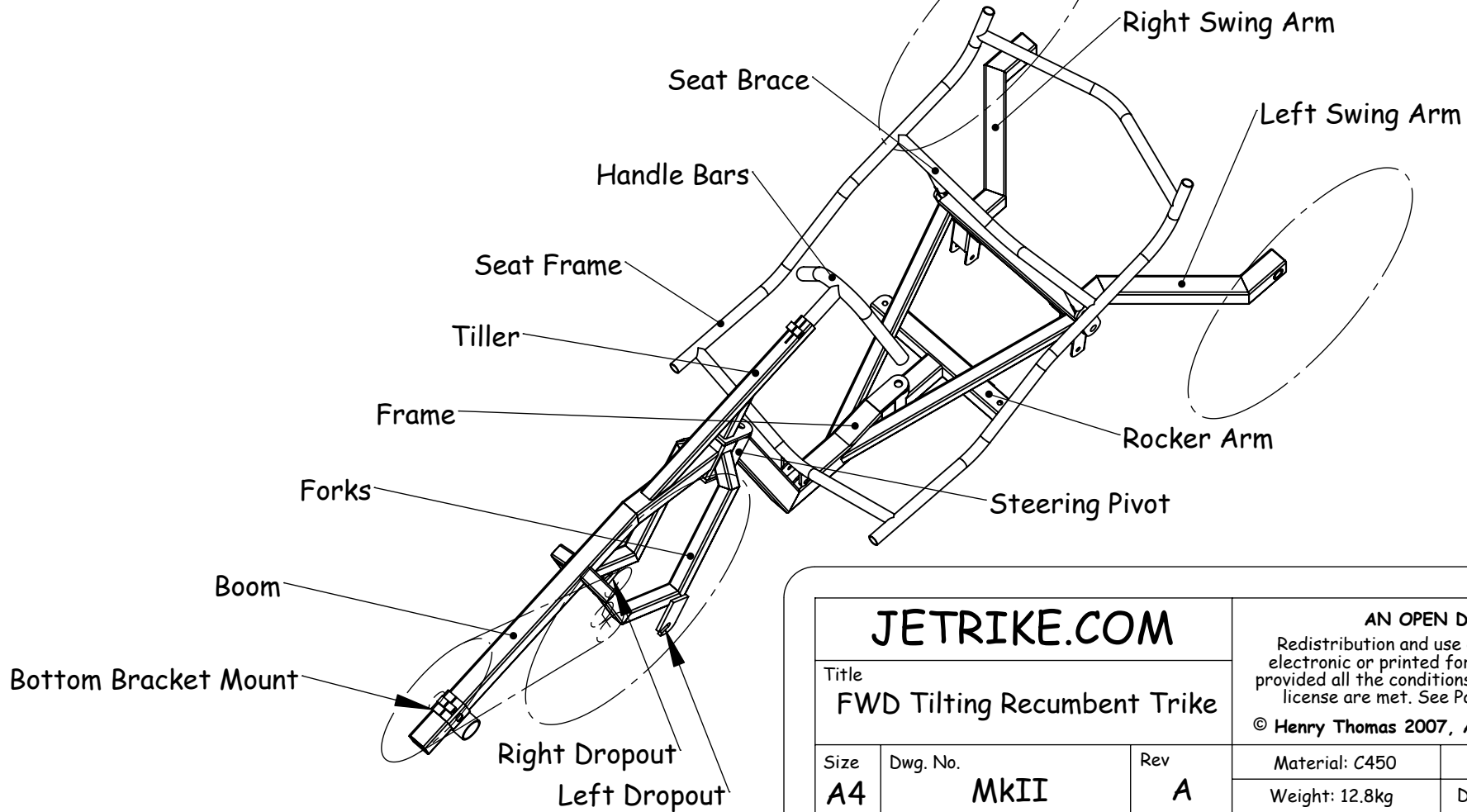
Redistribution and use of plans, with or without modification, are permitted provided that the following conditions are met:

1. Redistributions of plans must retain the above copyright notice, this list of conditions and the following disclaimer.
2. Neither the name of Henry Thomas or JETRIKE nor the names of any contributors may be used to endorse or promote products derived from these plans without specific prior written permission.

THESE PLANS ARE PROVIDED BY THE COPYRIGHT HOLDERS AND CONTRIBUTORS "AS IS" AND ANY EXPRESS OR IMPLIED WARRANTIES, INCLUDING, BUT NOT LIMITED TO, THE IMPLIED WARRANTIES OF MERCHANTABILITY AND FITNESS FOR A PARTICULAR PURPOSE ARE DISCLAIMED. IN NO EVENT SHALL THE COPYRIGHT HOLDERS OR CONTRIBUTORS BE LIABLE FOR ANY DIRECT, INDIRECT, INCIDENTAL, SPECIAL, EXEMPLARY, OR CONSEQUENTIAL DAMAGES (INCLUDING, BUT NOT LIMITED TO, INJURY OCCASIONING BODILY HARM OR DEATH; LOSS OF PROFITS; PROCUREMENT OF SUBSTITUTE GOODS OR SERVICES; OR BUSINESS INTERRUPTION) HOWEVER CAUSED AND ON ANY THEORY OF LIABILITY, WHETHER IN CONTRACT, STRICT LIABILITY, OR TORT (INCLUDING NEGLIGENCE OR OTHERWISE) ARISING IN ANY WAY OUT OF THE USE OF THESE PLANS, EVEN IF ADVISED OF THE POSSIBILITY OF SUCH DAMAGE.

**Specifications**

Pivot-Angle@Specs	Wheelbase@Specs	Track@Plan	Trail@Specs	FW-Radius@Specs	FW-Axle@Plan	RW-Radius@Specs	RW-Axle@Plan	BB-Height@Specs	BB-FWA@Specs	BB-BOS@Specs	Seat-Width@Plan	Seat-Height@Specs	Saddle-Length@Specs	Lumbar-Height@Specs	Lumbar-Angle@Specs	Backrest-Length@Specs	Backrest-Angle@Specs	Neckrest-Length@Specs	Neckrest-Angle@Specs	Angle-A@Specs	Angle-B@Specs	Angle-C@Specs	Length-D@Specs	Length-E@Specs	Length-F@Specs	Length-G@Specs
57.5	1150	700	100	254	125	254	100	380	430	950	450	340	230	190	10	460	21	120	50	90	97	105	280	85	260	170



**JETRIKE.COM**

Title: FWD Tilting Recumbent Trike

Size	Dwg. No.	Rev
<b>A4</b>	<b>MkII</b>	<b>A</b>

Scale 1:10      Sheet 2 of 21

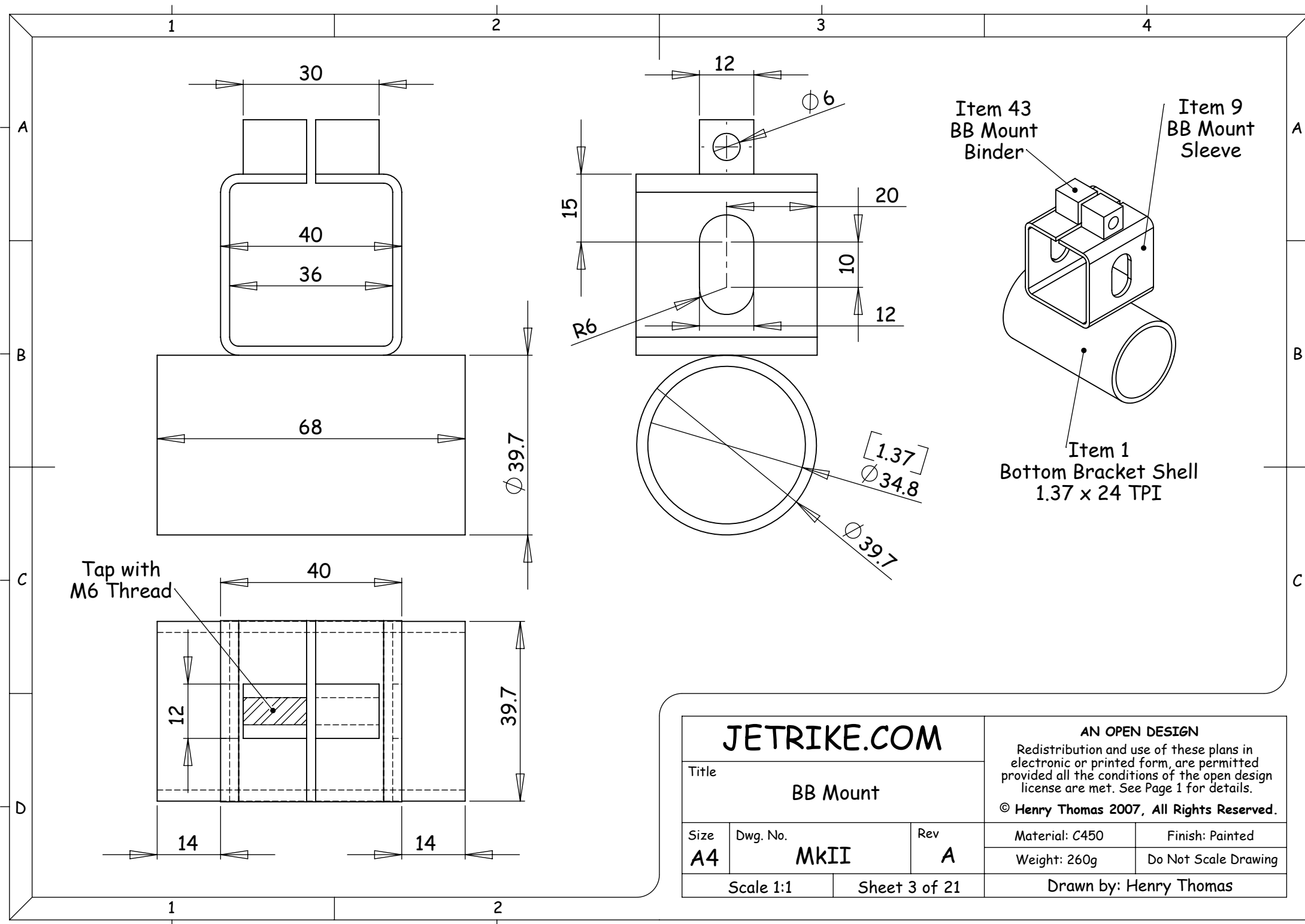
**AN OPEN DESIGN**

Redistribution and use of these plans in electronic or printed form, are permitted provided all the conditions of the open design license are met. See Page 1 for details.

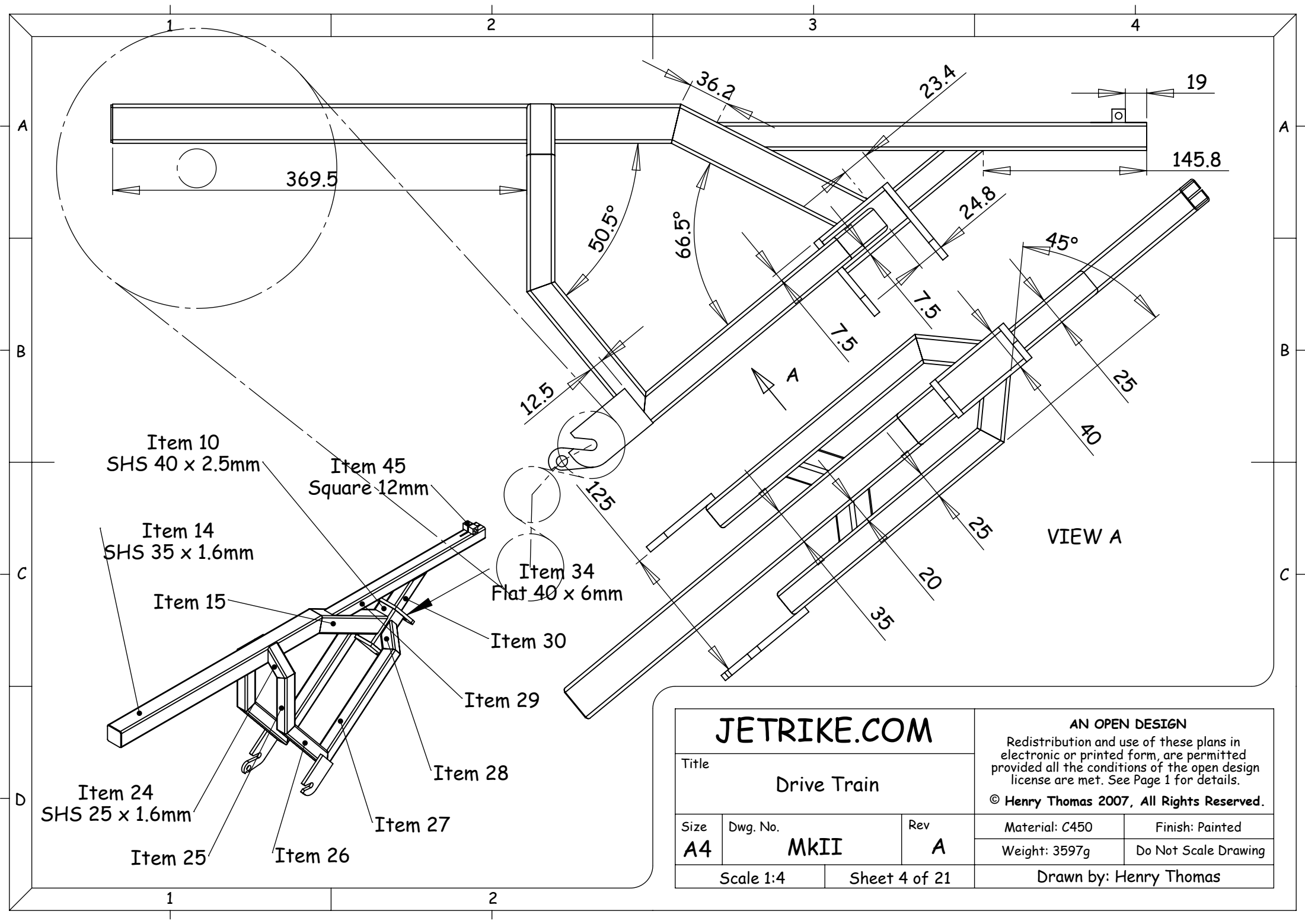
© Henry Thomas 2007, All Rights Reserved.

Material: C450	Finish: Painted
Weight: 12.8kg	Do Not Scale Drawing

Drawn by: Henry Thomas



<b>JETRIKE.COM</b>			<b>AN OPEN DESIGN</b>	
Title <b>BB Mount</b>			Redistribution and use of these plans in electronic or printed form, are permitted provided all the conditions of the open design license are met. See Page 1 for details.	
© Henry Thomas 2007, All Rights Reserved.			© Henry Thomas 2007, All Rights Reserved.	
Size <b>A4</b>	Dwg. No. <b>MkII</b>	Rev <b>A</b>	Material: C450	Finish: Painted
			Weight: 260g	Do Not Scale Drawing
Scale 1:1		Sheet 3 of 21	Drawn by: Henry Thomas	



<b>JETRIKE.COM</b>		
Title <b>Drive Train</b>		
Size <b>A4</b>	Dwg. No. <b>MkII</b>	Rev <b>A</b>
Scale 1:4		Sheet 4 of 21

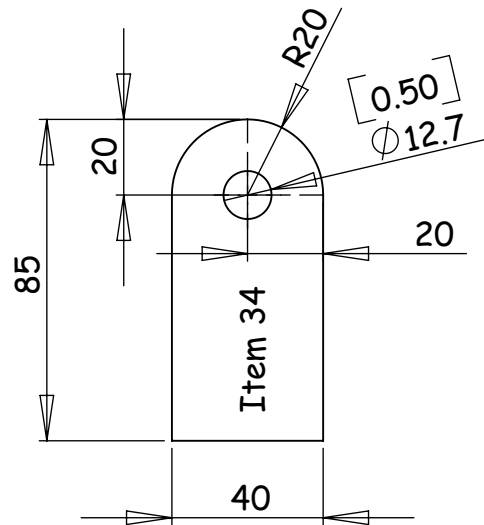
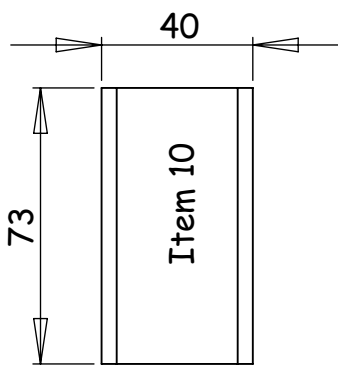
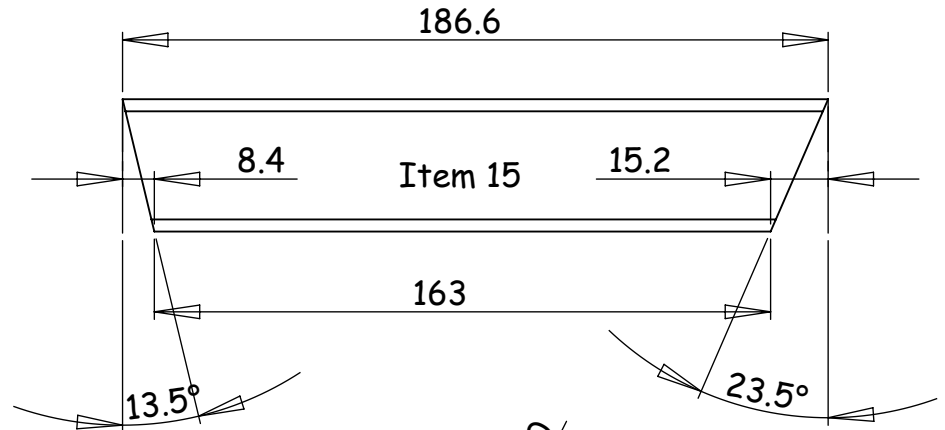
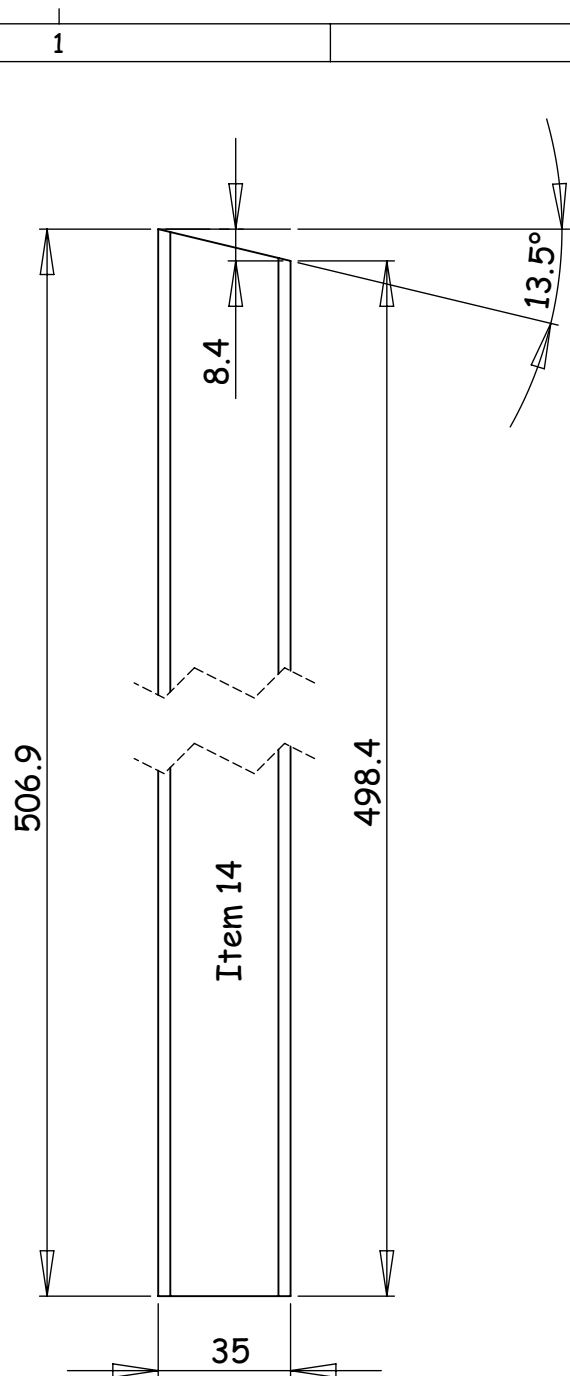
**AN OPEN DESIGN**

Redistribution and use of these plans in electronic or printed form, are permitted provided all the conditions of the open design license are met. See Page 1 for details.

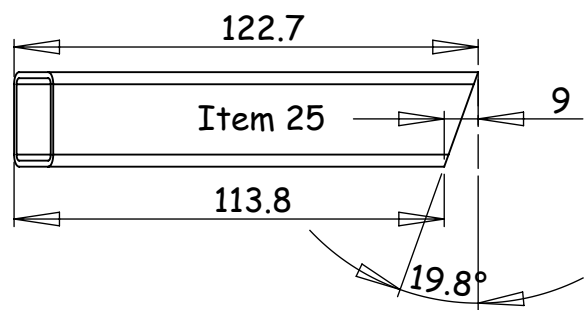
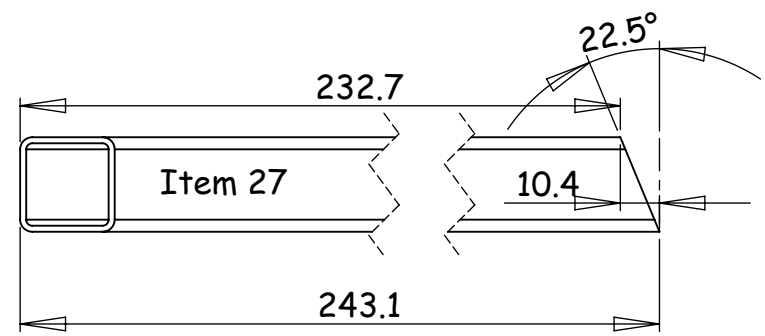
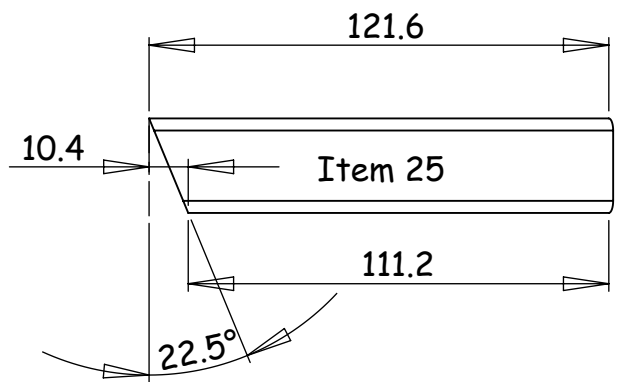
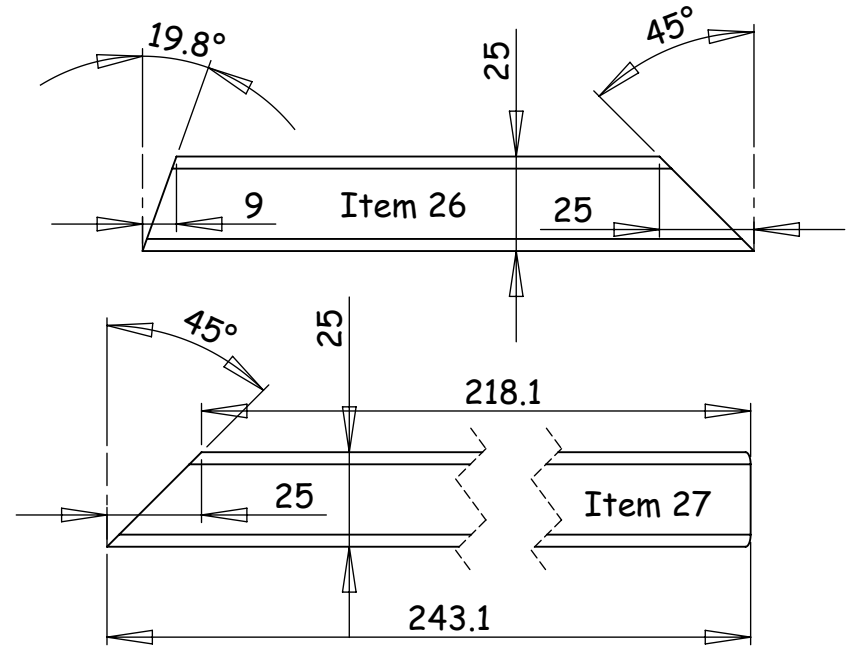
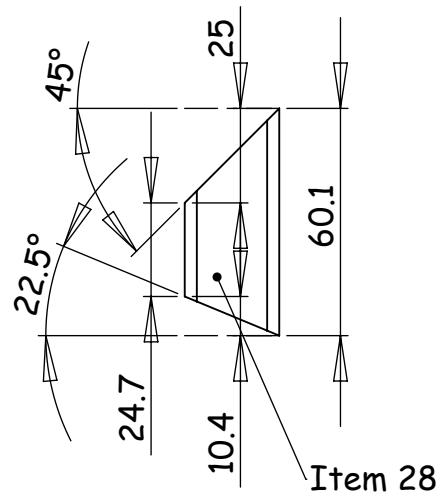
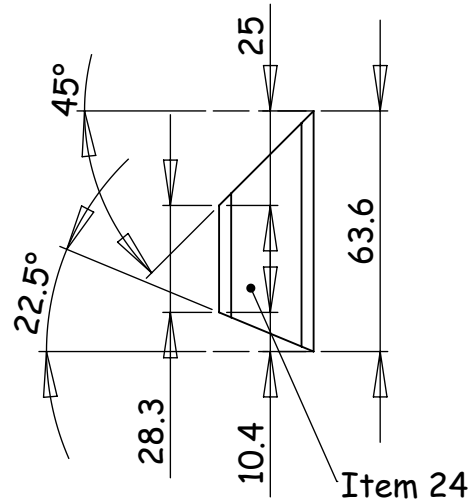
© Henry Thomas 2007, All Rights Reserved.

Material: C450	Finish: Painted
Weight: 3597g	Do Not Scale Drawing

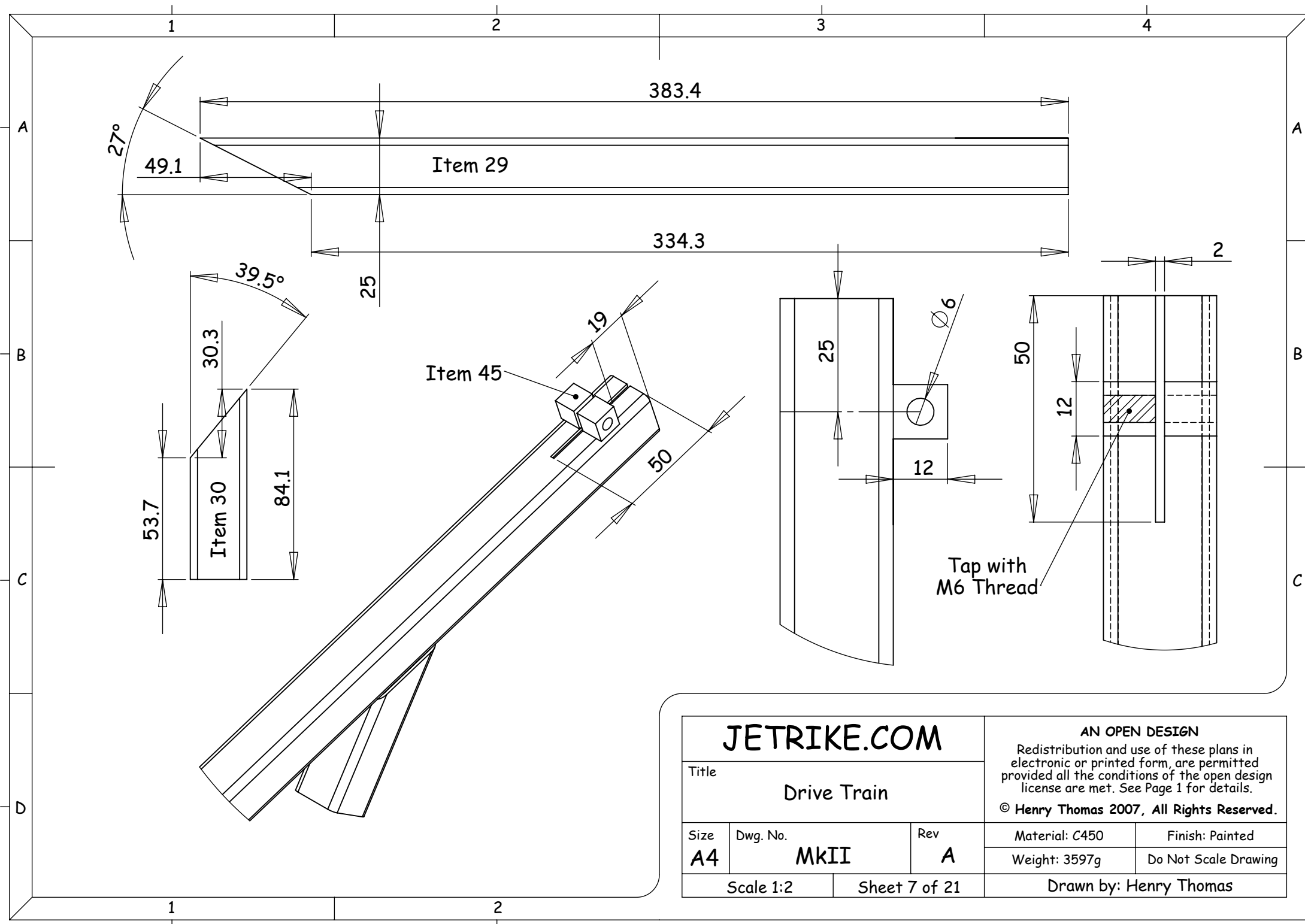
Drawn by: Henry Thomas



<b>JETRIKE.COM</b>			<b>AN OPEN DESIGN</b>	
Title <b>Drive Train</b>			Redistribution and use of these plans in electronic or printed form, are permitted provided all the conditions of the open design license are met. See Page 1 for details.	
© Henry Thomas 2007, All Rights Reserved.			© Henry Thomas 2007, All Rights Reserved.	
Size <b>A4</b>	Dwg. No. <b>MkII</b>	Rev <b>A</b>	Material: C450	Finish: Painted
			Weight: 3597g	Do Not Scale Drawing
Scale 1:2		Sheet 5 of 21		Drawn by: Henry Thomas



<b>JETRIKE.COM</b>			<b>AN OPEN DESIGN</b>	
Title <b>Drive Train</b>			Redistribution and use of these plans in electronic or printed form, are permitted provided all the conditions of the open design license are met. See Page 1 for details.	
© Henry Thomas 2007, All Rights Reserved.			© Henry Thomas 2007, All Rights Reserved.	
Size <b>A4</b>	Dwg. No. <b>MkII</b>	Rev <b>A</b>	Material: C450	Finish: Painted
			Weight: 3597g	Do Not Scale Drawing
Scale 1:2		Sheet 6 of 21		Drawn by: Henry Thomas



**JETRIKE.COM**

Title  
**Drive Train**

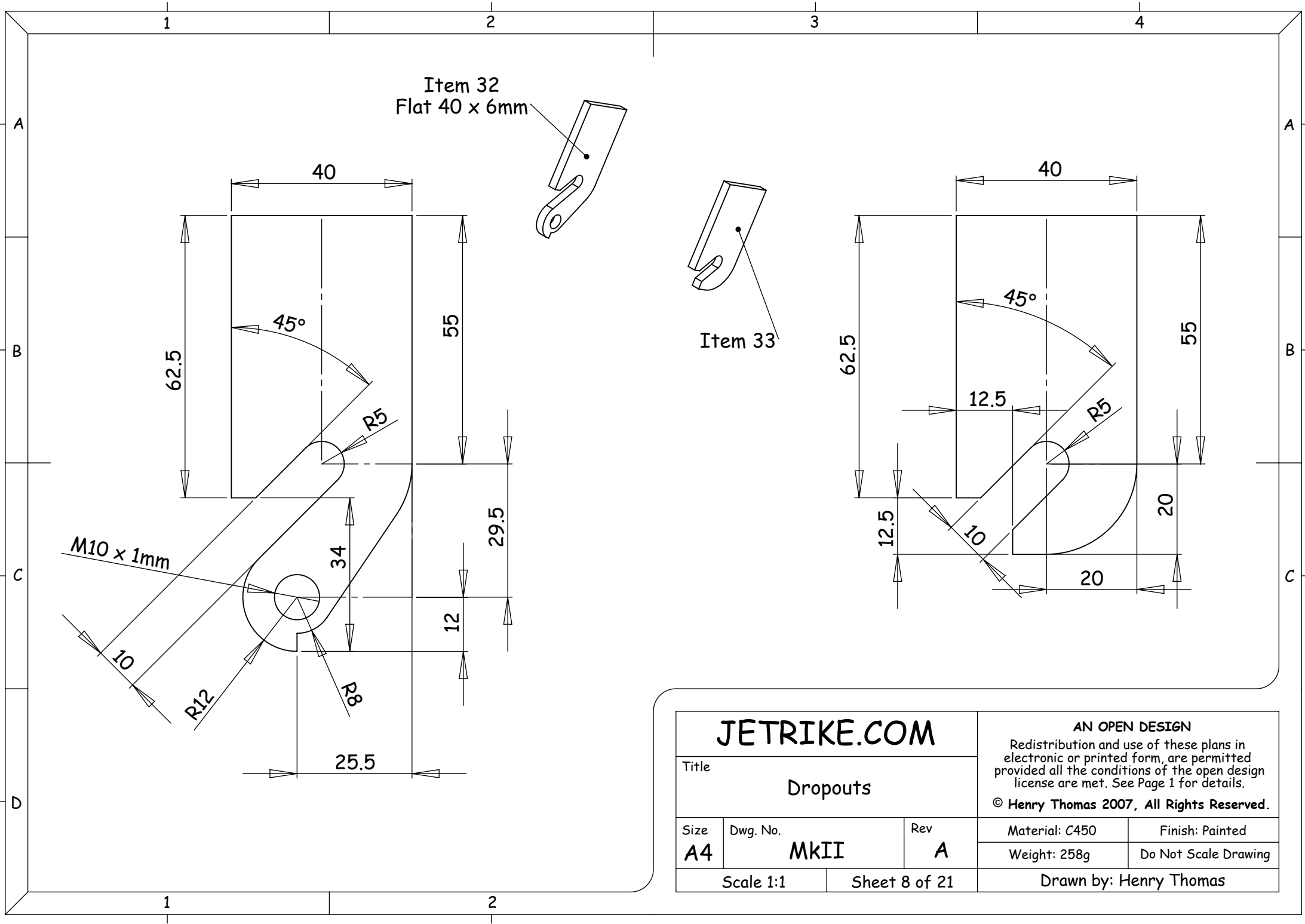
**AN OPEN DESIGN**  
Redistribution and use of these plans in electronic or printed form, are permitted provided all the conditions of the open design license are met. See Page 1 for details.  
© Henry Thomas 2007, All Rights Reserved.

Size <b>A4</b>	Dwg. No. <b>MkII</b>	Rev <b>A</b>
-------------------	-------------------------	-----------------

Material: C450	Finish: Painted
Weight: 3597g	Do Not Scale Drawing

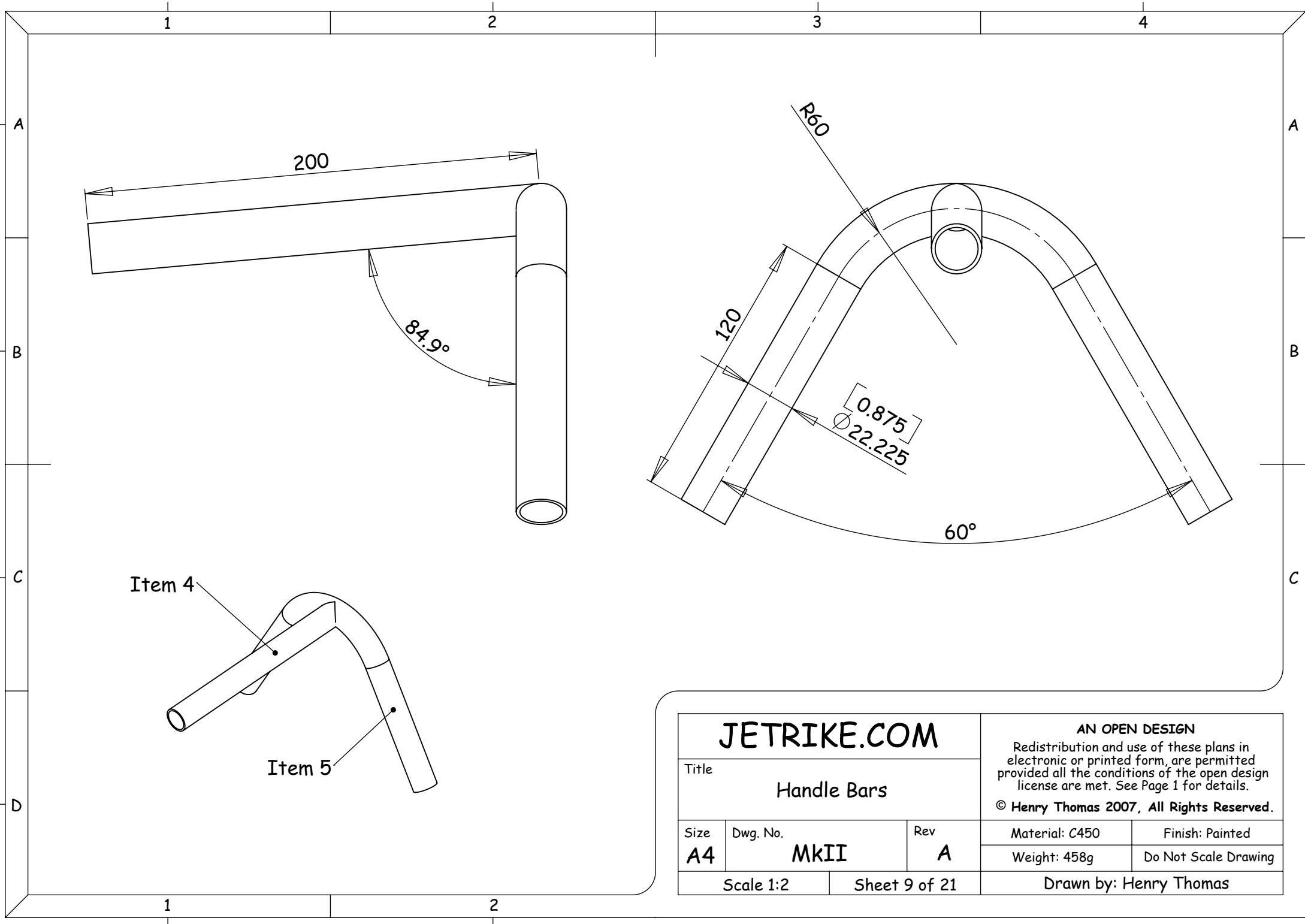
Scale 1:2	Sheet 7 of 21
-----------	---------------

Drawn by: Henry Thomas

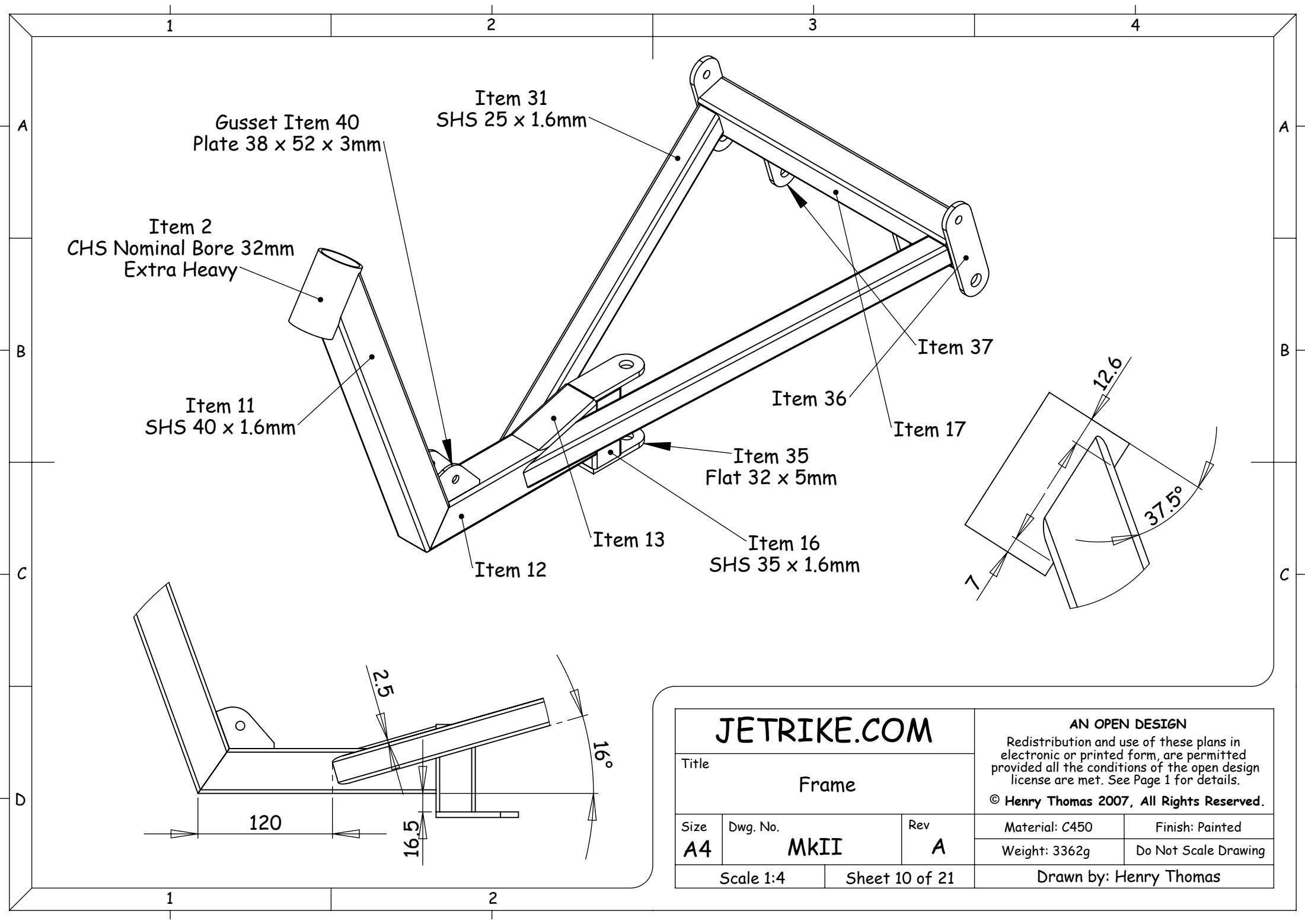


<b>JETRIKE.COM</b>			<b>AN OPEN DESIGN</b>	
Title <b>Dropouts</b>			Redistribution and use of these plans in electronic or printed form, are permitted provided all the conditions of the open design license are met. See Page 1 for details.	
© Henry Thomas 2007, All Rights Reserved.			© Henry Thomas 2007, All Rights Reserved.	
Size <b>A4</b>	Dwg. No. <b>MkII</b>	Rev <b>A</b>	Material: C450	Finish: Painted
			Weight: 258g	Do Not Scale Drawing
Scale 1:1		Sheet 8 of 21	Drawn by: Henry Thomas	





<b>JETRIKE.COM</b>			<b>AN OPEN DESIGN</b>	
Title <b>Handle Bars</b>			Redistribution and use of these plans in electronic or printed form, are permitted provided all the conditions of the open design license are met. See Page 1 for details.	
© Henry Thomas 2007, All Rights Reserved.			© Henry Thomas 2007, All Rights Reserved.	
Size <b>A4</b>	Dwg. No. <b>MkII</b>	Rev <b>A</b>	Material: C450	Finish: Painted
Scale 1:2			Weight: 458g	Do Not Scale Drawing
Sheet 9 of 21		Drawn by: Henry Thomas		



<b>JETRIKE.COM</b>		
Title <b>Frame</b>		
Size <b>A4</b>	Dwg. No. <b>MkII</b>	Rev <b>A</b>
Scale 1:4		Sheet 10 of 21

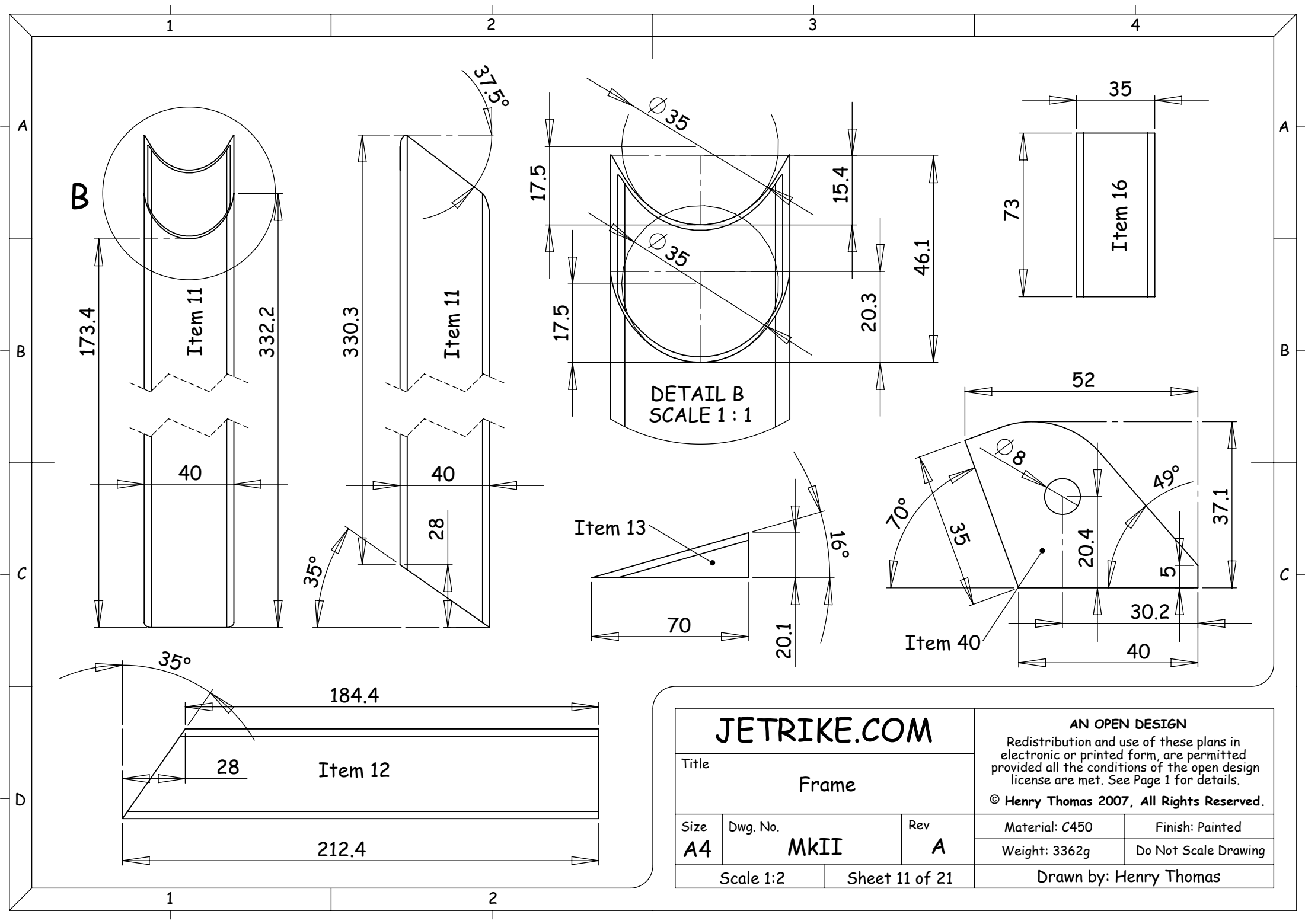
**AN OPEN DESIGN**

Redistribution and use of these plans in electronic or printed form, are permitted provided all the conditions of the open design license are met. See Page 1 for details.

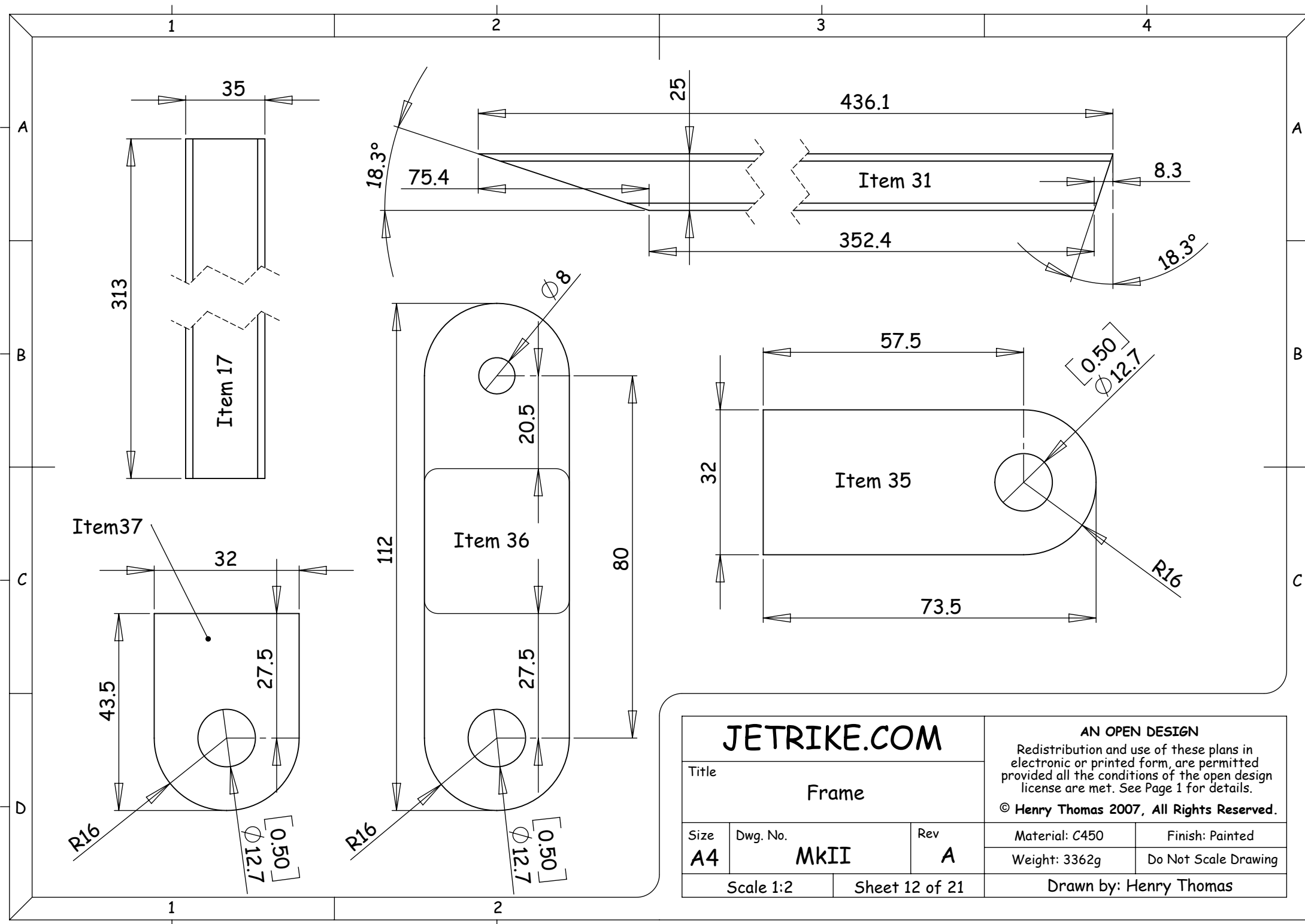
© Henry Thomas 2007, All Rights Reserved.

Material: C450	Finish: Painted
Weight: 3362g	Do Not Scale Drawing

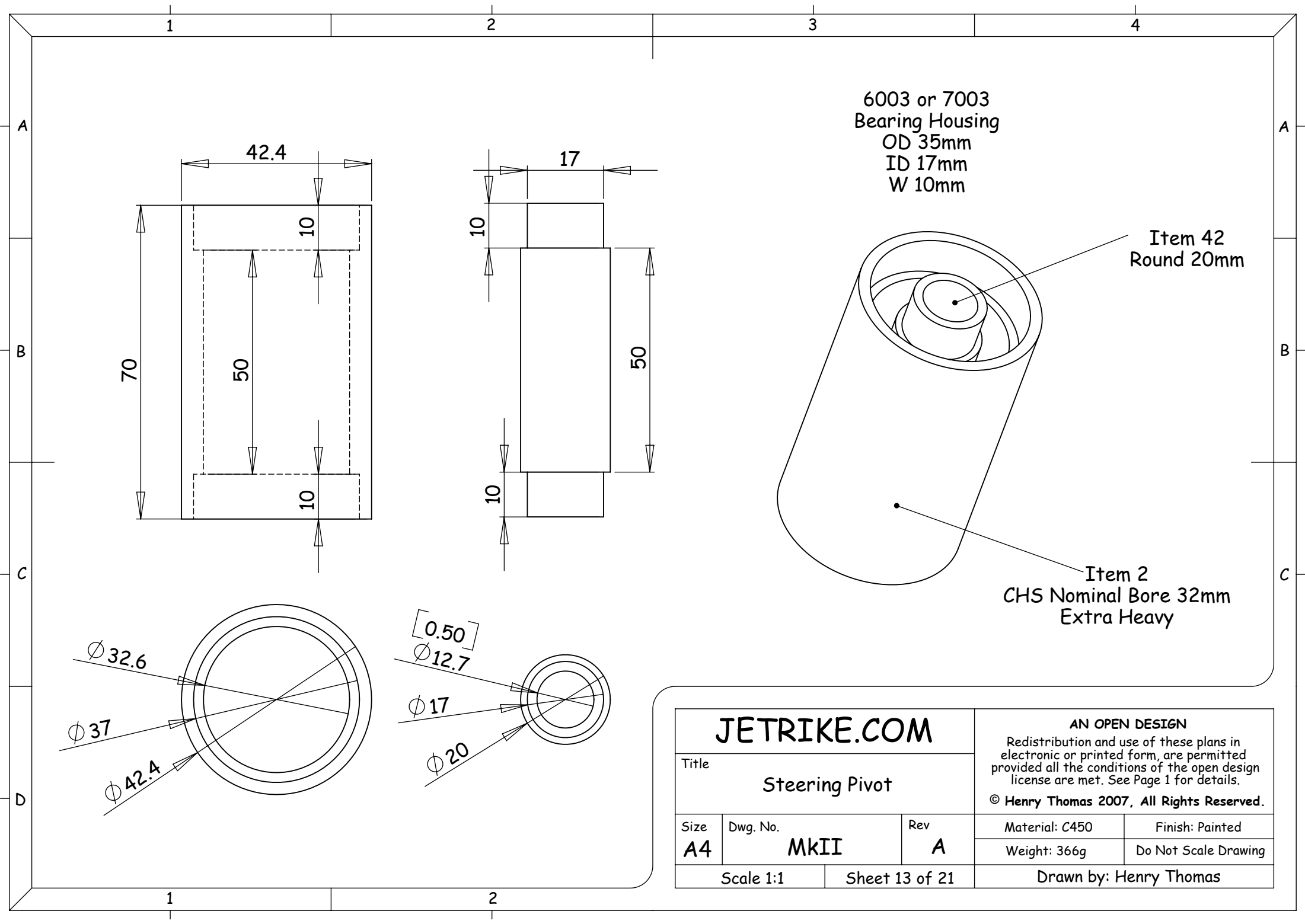
Drawn by: Henry Thomas



<b>JETRIKE.COM</b>			<b>AN OPEN DESIGN</b>	
Title			Redistribution and use of these plans in electronic or printed form, are permitted provided all the conditions of the open design license are met. See Page 1 for details.	
<b>Frame</b>			© Henry Thomas 2007, All Rights Reserved.	
Size	Dwg. No.	Rev	Material: C450	Finish: Painted
<b>A4</b>	<b>MkII</b>	<b>A</b>	Weight: 3362g	Do Not Scale Drawing
Scale 1:2		Sheet 11 of 21	Drawn by: Henry Thomas	



<b>JETRIKE.COM</b>			<b>AN OPEN DESIGN</b>	
Title <b>Frame</b>			Redistribution and use of these plans in electronic or printed form, are permitted provided all the conditions of the open design license are met. See Page 1 for details.	
© Henry Thomas 2007, All Rights Reserved.				
Size <b>A4</b>	Dwg. No. <b>MkII</b>	Rev <b>A</b>	Material: C450	Finish: Painted
			Weight: 3362g	Do Not Scale Drawing
Scale 1:2		Sheet 12 of 21		Drawn by: Henry Thomas

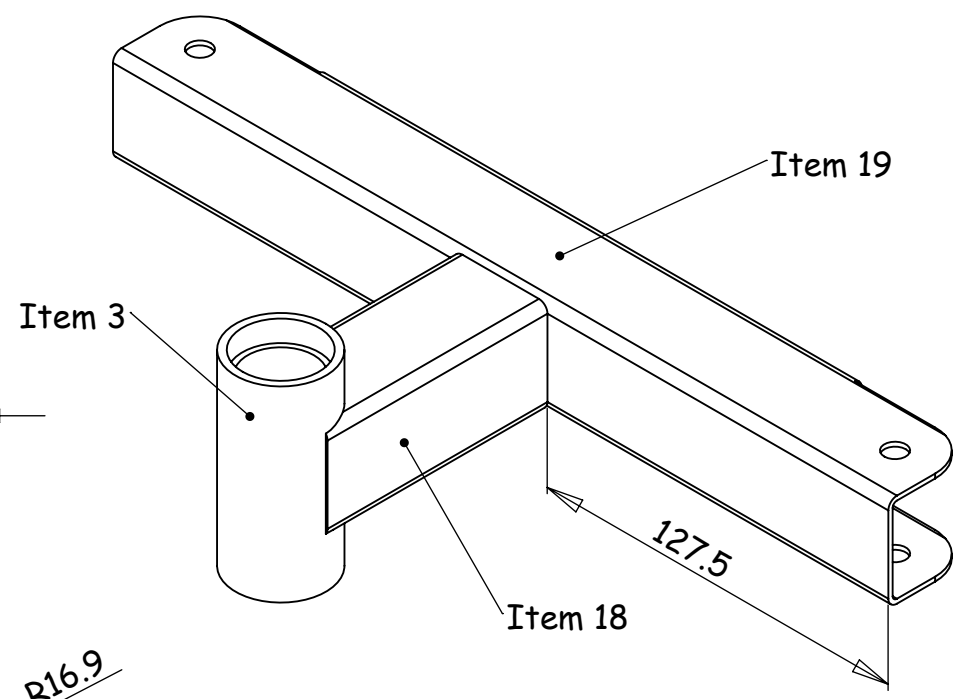
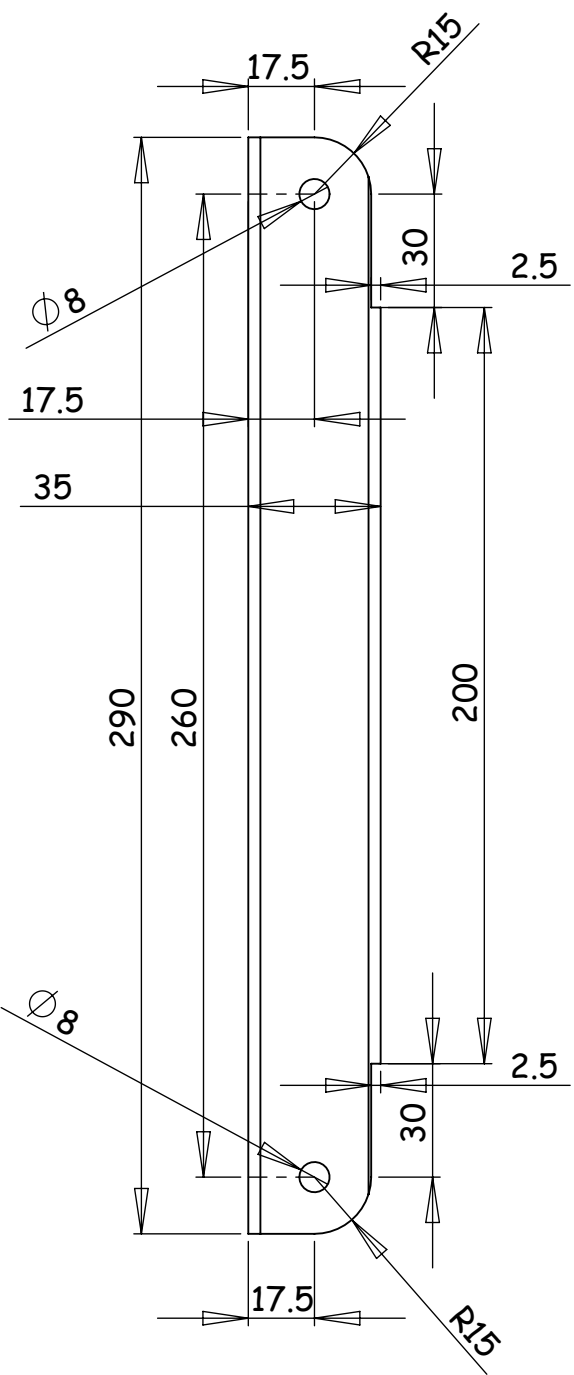


6003 or 7003  
 Bearing Housing  
 OD 35mm  
 ID 17mm  
 W 10mm

Item 42  
 Round 20mm

Item 2  
 CHS Nominal Bore 32mm  
 Extra Heavy

<b>JETRIKE.COM</b>			<b>AN OPEN DESIGN</b>	
Title <b>Steering Pivot</b>			Redistribution and use of these plans in electronic or printed form, are permitted provided all the conditions of the open design license are met. See Page 1 for details.	
© Henry Thomas 2007, All Rights Reserved.				
Size <b>A4</b>	Dwg. No. <b>MkII</b>	Rev <b>A</b>	Material: C450	Finish: Painted
			Weight: 366g	Do Not Scale Drawing
Scale 1:1		Sheet 13 of 21	Drawn by: Henry Thomas	



<b>JETRIKE.COM</b>			<b>AN OPEN DESIGN</b>	
Title <b>Rocker Arm</b>			Redistribution and use of these plans in electronic or printed form, are permitted provided all the conditions of the open design license are met. See Page 1 for details.	
© Henry Thomas 2007, All Rights Reserved.			© Henry Thomas 2007, All Rights Reserved.	
Size <b>A4</b>	Dwg. No. <b>MkII</b>	Rev <b>A</b>	Material: C450	Finish: Painted
			Weight: 750g	Do Not Scale Drawing
Scale 1:2		Sheet 14 of 21	Drawn by: Henry Thomas	

1

2

3

4

A

A

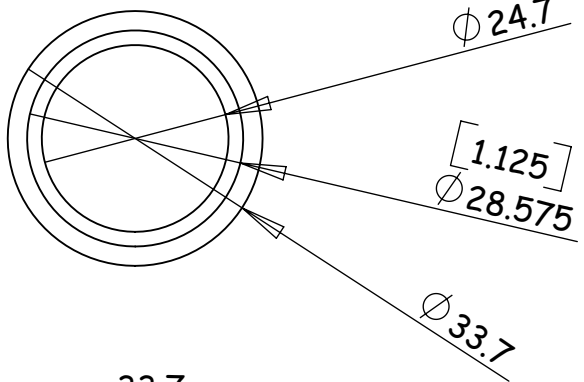
B

B

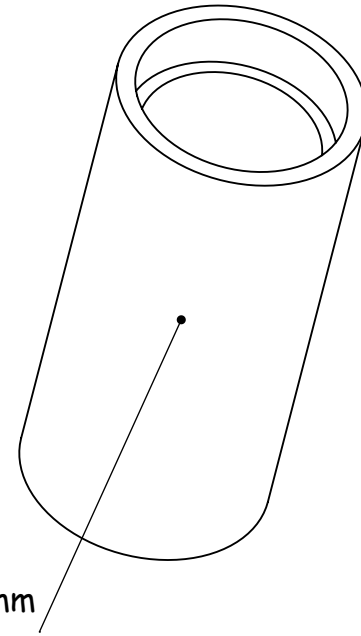
C

C

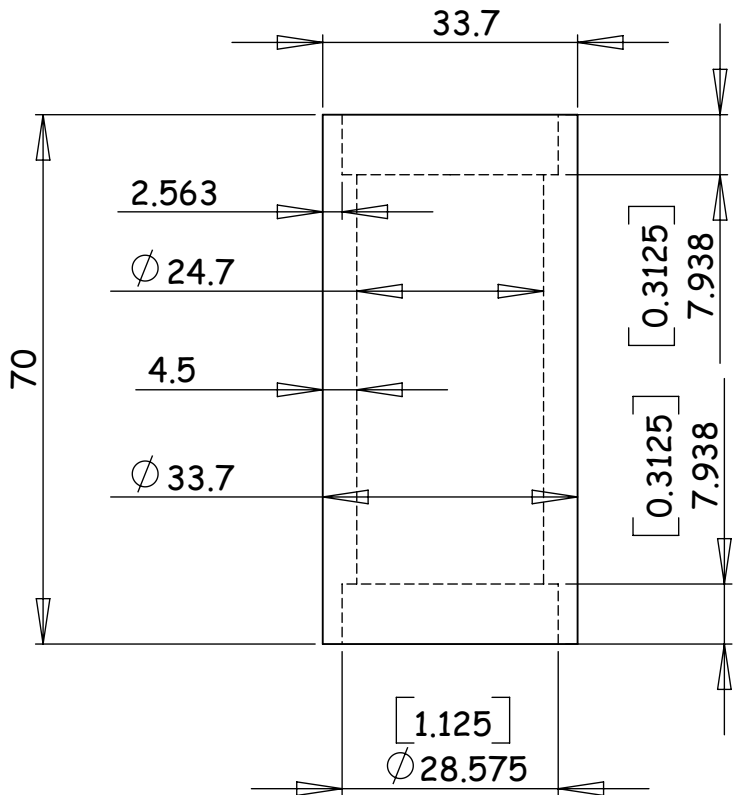
D



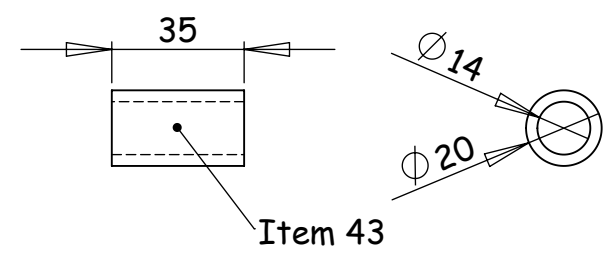
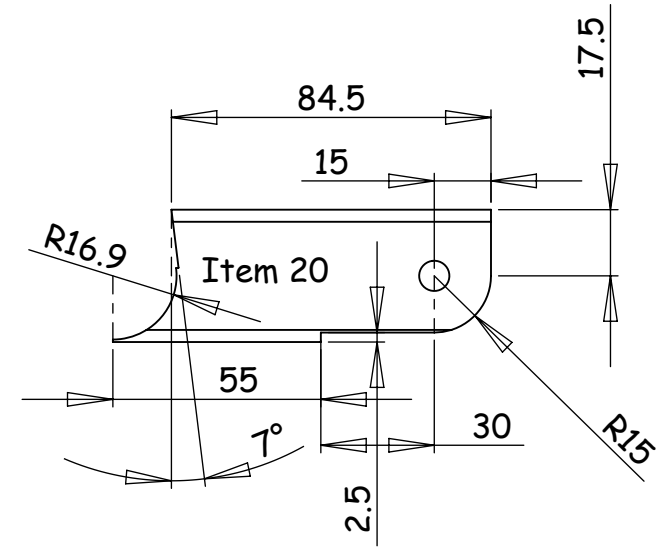
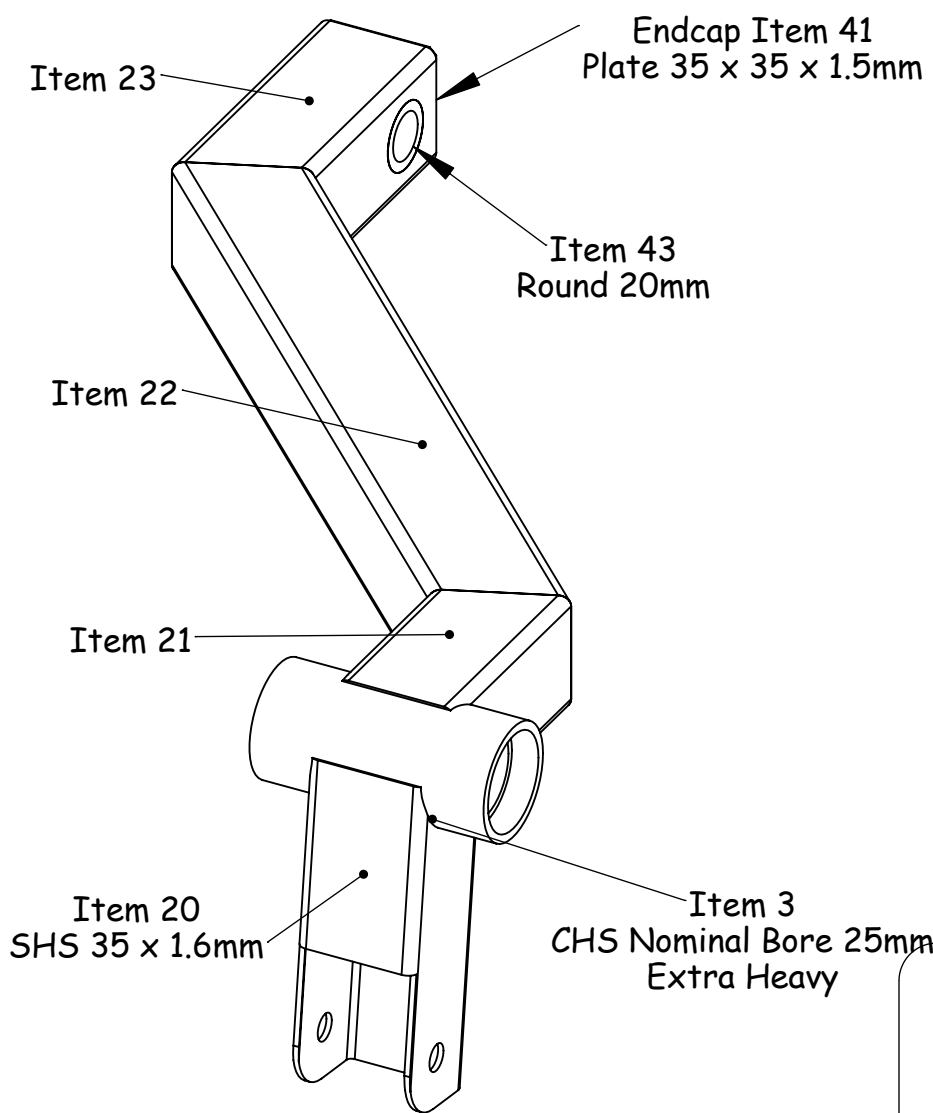
R8  
 Bearing Housing  
 OD 1 1/8"  
 ID 1/2"  
 W 5/16"



Item 3  
 CHS Nominal Bore 25mm  
 Extra Heavy

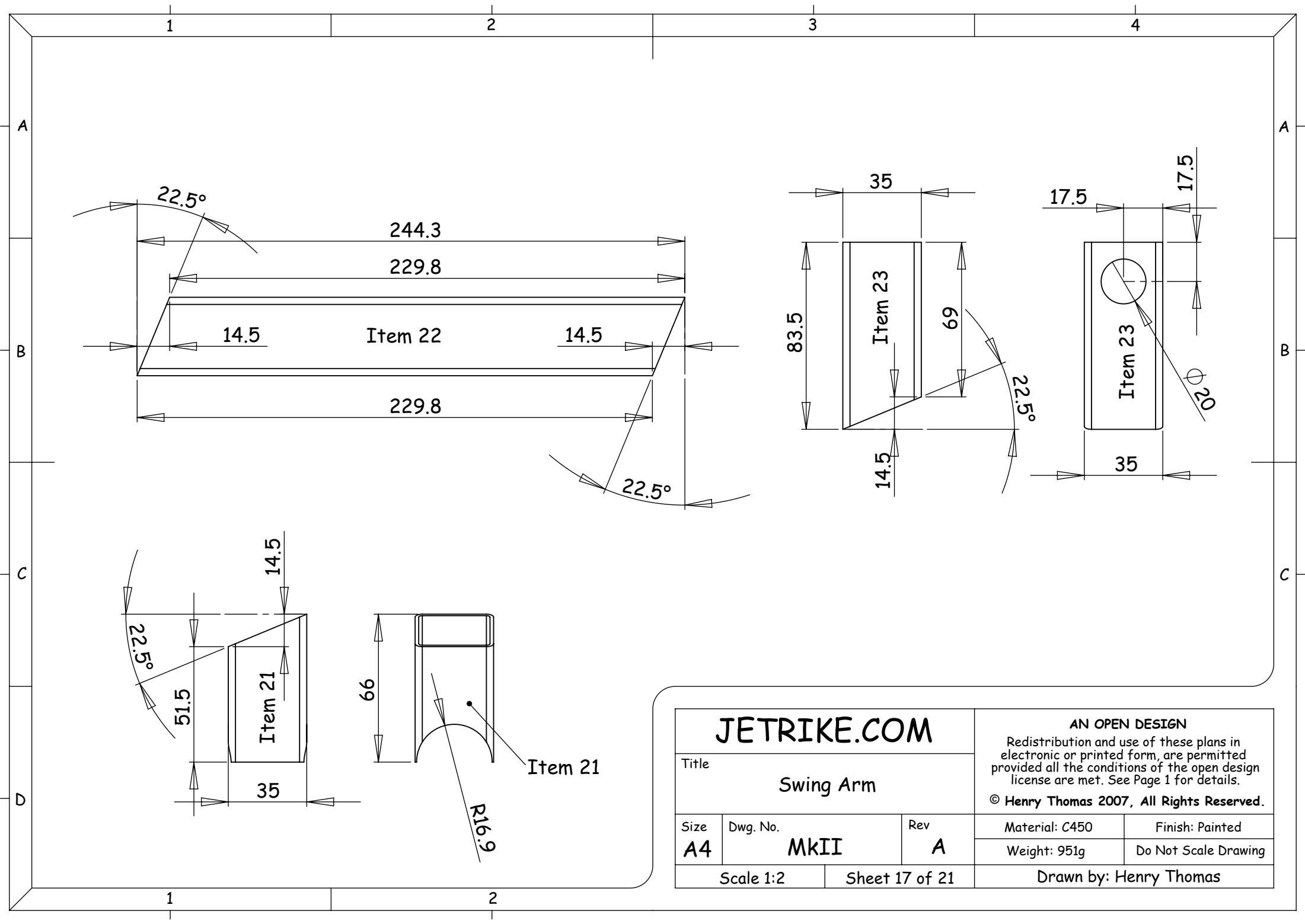


<b>JETRIKE.COM</b>			<b>AN OPEN DESIGN</b>	
Title			Redistribution and use of these plans in electronic or printed form, are permitted provided all the conditions of the open design license are met. See Page 1 for details.	
Swing & Rocker Pivot			© Henry Thomas 2007, All Rights Reserved.	
Size	Dwg. No.	Rev	Material: C450	Finish: Painted
<b>A4</b>	<b>MkII</b>	<b>A</b>	Weight: 205g	Do Not Scale Drawing
Scale 1:1		Sheet 15 of 21	Drawn by: Henry Thomas	



<b>JETRIKE.COM</b>			<b>AN OPEN DESIGN</b>	
Title <b>Swing Arm</b>			Redistribution and use of these plans in electronic or printed form, are permitted provided all the conditions of the open design license are met. See Page 1 for details.	
© Henry Thomas 2007, All Rights Reserved.			© Henry Thomas 2007, All Rights Reserved.	
Size <b>A4</b>	Dwg. No. <b>MkII</b>	Rev <b>A</b>	Material: C450	Finish: Painted
			Weight: 951g	Do Not Scale Drawing
Scale 1:2		Sheet 16 of 21	Drawn by: Henry Thomas	





**JETRIKE.COM**

Title  
**Swing Arm**

**AN OPEN DESIGN**  
Redistribution and use of these plans in electronic or printed form, are permitted provided all the conditions of the open design license are met. See Page 1 for details.  
© Henry Thomas 2007, All Rights Reserved.

Size <b>A4</b>	Dwg. No. <b>MkII</b>	Rev <b>A</b>
-------------------	-------------------------	-----------------

Material: C450	Finish: Painted
Weight: 951g	Do Not Scale Drawing

Scale 1:2      Sheet 17 of 21

Drawn by: Henry Thomas

1

2

3

4

A

A

B

B

C

C

D

D

Item 6  
Tube OD 3/4 x 0.064"

Item 7

Item 8

Item 39

303

40

Item 38  
Flat 20 x 5mm

[0.375]  
R9.5

Item 8

Item 8

83.8

7.9

75.9

90.2

22.5°

20

5

[0.75]  
Ø19.1

20

Item 38

R10

45.1

47.6

Ø8

20

R10

Item 39

50

40

Ø8

10

R10

# JETRIKE.COM

Title

Seat

AN OPEN DESIGN

Redistribution and use of these plans in electronic or printed form, are permitted provided all the conditions of the open design license are met. See Page 1 for details.

© Henry Thomas 2007, All Rights Reserved.

Size

A4

Dwg. No.

MkII

Rev

A

Material: C450

Finish: Painted

Weight: 2332g

Do Not Scale Drawing

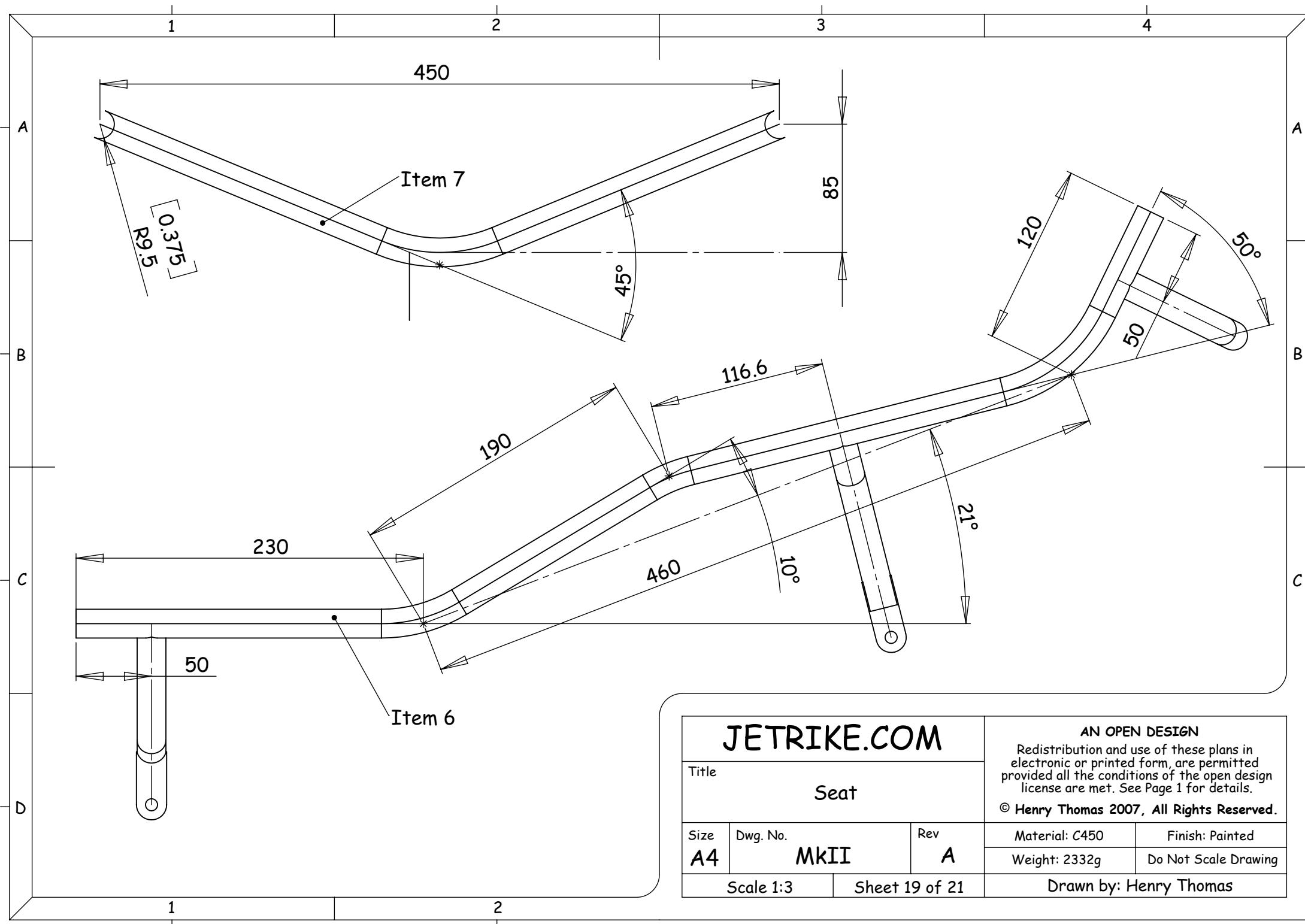
Scale 1:1

Sheet 18 of 21

Drawn by: Henry Thomas

1

2



**JETRIKE.COM**

Title  
**Seat**

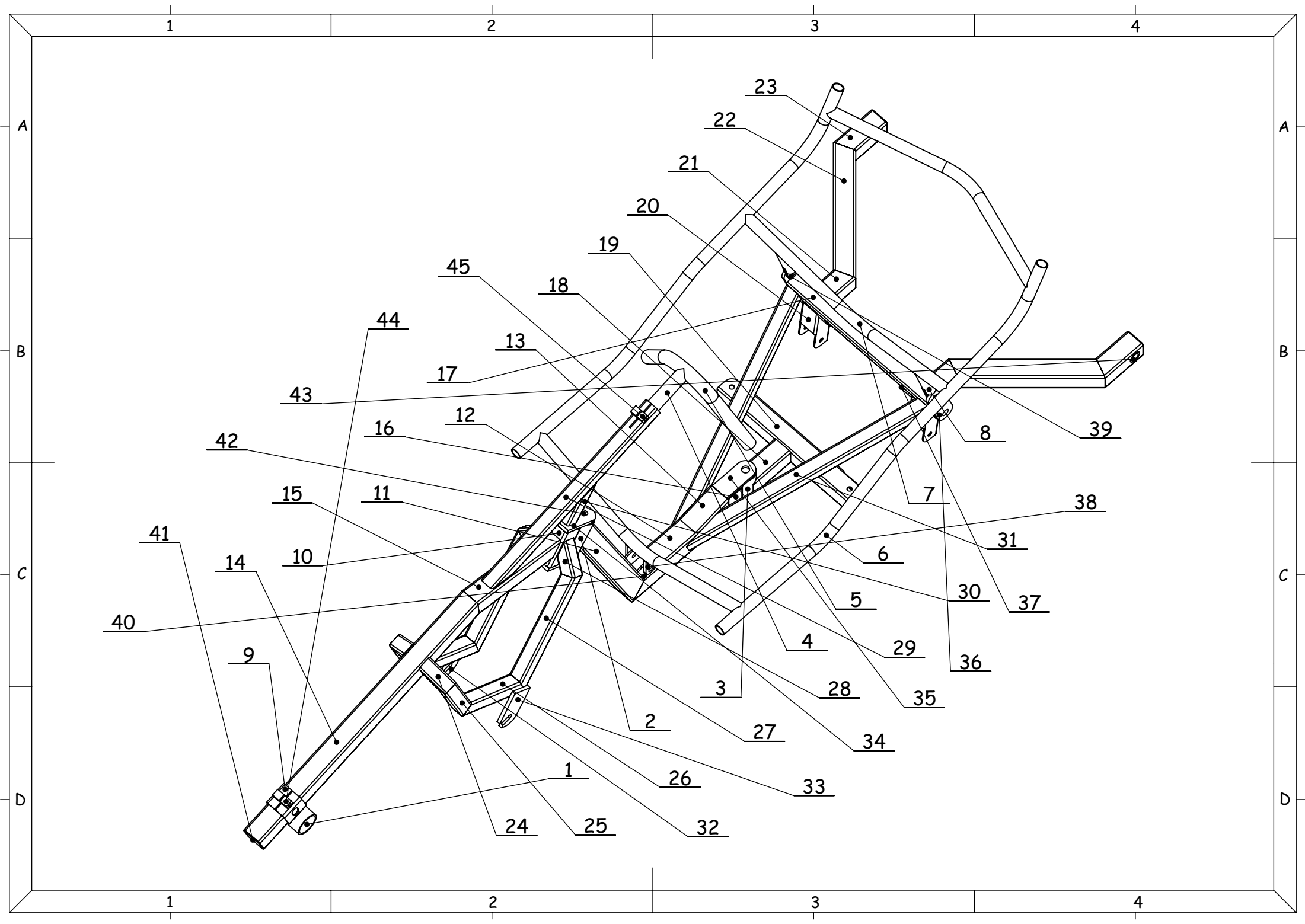
**AN OPEN DESIGN**  
 Redistribution and use of these plans in electronic or printed form, are permitted provided all the conditions of the open design license are met. See Page 1 for details.  
 © Henry Thomas 2007, All Rights Reserved.

Size <b>A4</b>	Dwg. No. <b>MkII</b>	Rev <b>A</b>
-------------------	-------------------------	-----------------

Material: C450	Finish: Painted
Weight: 2332g	Do Not Scale Drawing

Scale 1:3      Sheet 19 of 21

Drawn by: Henry Thomas



1

2

3

4

A

A

B

B

C

C

D

D

1

2

3

4

40  
41

14  
9

10  
15

11  
16

12  
17

13  
44

18  
19

20  
21

22  
23

24  
1

25  
2

26  
3

27  
4

28  
5

29  
6

30  
7

31  
8

42  
15

43  
16

44  
17

45  
18

32  
26

33  
27

34  
28

35  
29

36  
30

37  
31

38  
32

39  
33

39  
34

39  
35

39  
36

39  
37

39  
38

39  
39

ITEM NO.	DESCRIPTION	QTY.	LENGTH	TOTAL
1	BB Shell 1.37 x 24 TPI	1	68	
2	CHS Nominal Bore 32mm Extra Heavy	1	70	70
3	CHS Nominal Bore 25mm Extra Heavy	3	70	210
4	Tube OD 7/8 x 0.064 inch	1	200	200
5	Tube OD 7/8 x 0.064 inch	1	365.7	365.7
6	Tube OD 3/4 x 0.064 inch	2	807.3	1614.6
7	Tube OD 3/4 x 0.064 inch	3	482.8	1448.4
8	Tube OD 3/4 x 0.064 inch	2	90.2	180.4
9	SHS 40 x 40 x 2.0mm	1	40	40
10	SHS 40 x 40 x 2.0mm	1	73	73
11	SHS 40 x 40 x 1.6mm	1	358.8	358.8
12	SHS 40 x 40 x 1.6mm	1	212.4	212.4
13	SHS 40 x 40 x 1.6mm	1	72.8	72.8
14	SHS 35 x 35 x 1.6mm	1	506.9	506.9
15	SHS 35 x 35 x 1.6mm	1	186.6	186.6
16	SHS 35 x 35 x 1.6mm	1	73	73
17	SHS 35 x 35 x 1.6mm	1	313	313
18	SHS 35 x 35 x 1.6mm	1	82.3	82.3
19	SHS 35 x 35 x 1.6mm	1	290	290
20	SHS 35 x 35 x 1.6mm	2	100	200
21	SHS 35 x 35 x 1.6mm	2	66	132
22	SHS 35 x 35 x 1.6mm	2	244.3	488.6
23	SHS 35 x 35 x 1.6mm	2	83.5	167
24	SHS 25 x 25 x 1.6mm	2	63.6	127.2
25	SHS 25 x 25 x 1.6mm	2	122.7	245.4
26	SHS 25 x 25 x 1.6mm	2	161.7	323.4
27	SHS 25 x 25 x 1.6mm	2	243.1	486.2
28	SHS 25 x 25 x 1.6mm	2	60.1	120.2
29	SHS 25 x 25 x 1.6mm	1	383.4	383.4
30	SHS 25 x 25 x 1.6mm	1	84.1	84.1
31	SHS 25 x 25 x 1.6mm	2	436.1	872.2
32	Flat 40 x 6mm	1	96.5	96.5
33	Flat 40 x 6mm	1	75	75
34	Flat 40 x 6mm	2	85	170
35	Flat 32 x 5mm	2	73.5	147
36	Flat 32 x 5mm	2	112	224
37	Flat 32 x 5mm	2	43.5	87
38	Flat 20 x 5mm	2	45.1	90.2
39	Flat 20 x 5mm	2	50	100
40	Gusset Plate 38 x 52 x 3mm	2	38 x 104	
41	Endcap Plate 35 x 35 x 1.5mm	3	35x 105	
42	Round 20mm	1	70	70
43	Round 20mm	2	35	70
44	Square 12mm	2	14	28
45	Square 12mm	2	11.5	23
<b>TOTALS</b>	Tube OD 7/8 x 0.064 inch			<b>565.7</b>
	Tube OD 3/4 x 0.064 inch			<b>3243.4</b>
	SHS 40 x 40 x 2.0mm			<b>113</b>
	SHS 40 x 40 x 1.6mm			<b>644</b>
	SHS 35 x 35 x 1.6mm			<b>2439.4</b>
	SHS 25 x 25 x 1.6mm			<b>2642.1</b>
	Flat 40 x 5mm			<b>341.5</b>
	Flat 32 x 5mm			<b>458</b>
	Flat 20 x 5mm			<b>190.2</b>
	Round 20mm			<b>140</b>
	Square 12mm			<b>51</b>